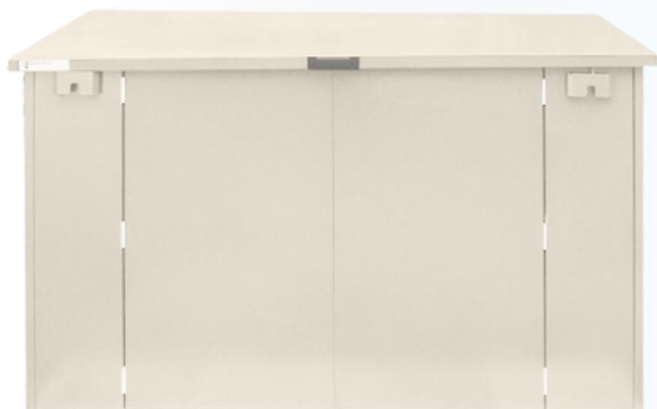


# Ripon Storage Unit



DIMENSIONS	DIMENSIONS (approx.)
Height	1256mm   4ft 1"
Width	1850mm   6ft 0"
Depth (doors closed)	986mm   3ft 2"
Depth (doors open)	1544mm   5ft 0"
Door Aperture Width	1168mm   3ft 9"
Door Aperture Height	1140mm   3ft 8"
Weight	107kg



**Dark Grey**  
SFSC004-315



**Ivory / Cream**  
SFSC004-316



**Clay Brown**  
SFSC004-317



**Fir Green**  
SFSC004-318



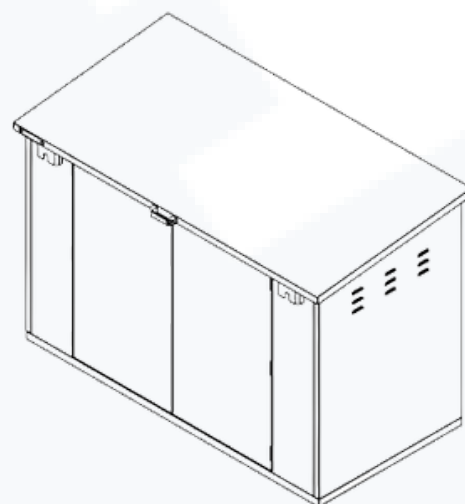
**Lakeland Green**  
SFSC004-319

## Description:

The Ripon storage unit is an outdoor galvanised steel storage unit that keeps stored items safe from damage and theft. This unit is perfect for individuals with limited home storage and those without a garage or garden shed.

With large capacity, many items can be stored comfortably, and easily accessed with two wide front-facing doors, and a lift-up lid fitted with gas rams to hold the entire lid up safely. Capacity can be increased with shelving and hooks available as part of our accessories range.

An all-round convenient storage solution that keeps everything in one secure location. This unit comes with simple assembly instructions and a 10 year warranty.



## Material & Design:

Built from heavy-duty galvanised steel panels with an integrated metal floor, the Ripon is completely weatherproof and won't rust or leak. All storage units are designed with the fixtures within the unit to eliminate break-in points, and an anti-pick locking system to deter thieves. The clever design also incorporates a ventilation system to keep stored items in excellent condition free from condensation & damp.

✓ **Ventilation System**  
minimise condensation & damp

✓ **Multi-Point Locking System**  
with anti-pick & drill properties

✓ **Integrated Metal Floor**  
sturdy & secure

✓ **Galvanised Steel**  
durable & weatherproof

✓ **Made in the UK**  
with a 10 year warranty