

Richmond Storage Unit



DIMENSIONS	DIMENSIONS (approx.)
Height	1407mm 4ft 7"
Width	1828mm 5ft 11"
Depth	943mm 3ft 1"
Door Aperture Width	1155mm 3ft 9"
Door Aperture Height	1142mm 3ft 8"
Weight	78kg



Dark Grey
SFSC016-315



Ivory / Cream
SFSC016-316



Clay Brown
SFSC016-317



Fir Green
SFSC016-318



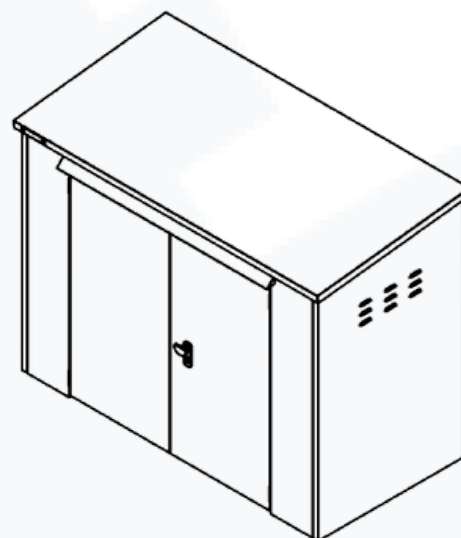
Lakeland Green
SFSC016-319

Description:

The Richmond storage unit is a highly secure and compact storage unit, ideal for individuals who don't want to use up garden space with a typical wooden shed but still want a storage solution to keep outdoor items tidy and organised.

Neatly store garden furniture, DIY tools, bikes and more, safe from damage and theft. Items can be stored and accessed easily with two wide front-facing doors and the option of fitting an anti-slip aluminium ramp. The capacity can be increased with shelving and hooks available as part of our accessories range.

An all-round convenient storage solution that keeps everything in one secure location. This unit comes with simple assembly instructions and a 10 year warranty.



Material & Design:

Built from heavy-duty galvanised steel panels with an integrated metal floor, the Richmond is completely weatherproof & won't rust or leak. All storage units are designed with the fixtures within the unit to eliminate break-in points, and an anti-pick locking system to deter thieves. The clever design also incorporates a ventilation system to keep stored items in excellent condition free from condensation & damp.

✓ **Ventilation System**
minimise condensation & damp

✓ **Multi-Point Locking System**
with anti-pick & drill properties

✓ **Integrated Metal Floor**
sturdy & secure

✓ **Galvanised Steel**
durable & weatherproof

✓ **Made in the UK**
with a 10 year warranty