



CARAVAN FLUES & ROOF PLATES

WE MANUFACTURE CARAVAN FLUES AND HAVE SUPPLIED MOST OF THE CARAVAN FLUES FITTED IN THE UK FOR THE LAST 30 YEARS

Kintech manufacture and supply exterior caravan flues as well as flue kits and roof plates and components to make sure your flue is properly secure. Available in a range of different sizes and colours so you can find the perfect match for your static caravan.

Caravan 6 Litre Unvented Water Heater Flue Conversion Kit

Providing an easy way of refurbishing most 5 or 6 litre water heater flues, our flue conversion kits are a proven mainstay of the caravan repair trade. Suitable for most applications where the caravan has a bow sprung roof.

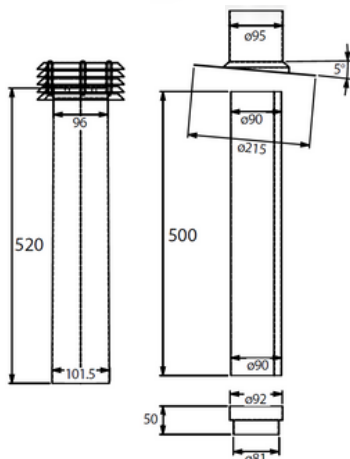
The flue conversion kit can only be fitted by a GAS SAFE registered gas fitter.

This flue kit will fit (among others): Morco D51 D61B D61E, Paloma, Saunier Duval, Rinnai and Valliant.



PRODUCT	DESCRIPTION
IS-FLK001-158	Graphite
IS-FLK001-160	Green
IS-FLK001-031	Silver
IS-FLK001-159	Terracotta

4 colour options to match most popular pantile roofs



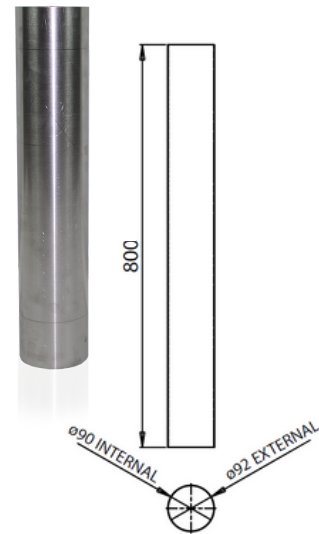
Inner Flue Pipe

The Inner Flue Pipe connects the water heater to the body of the flue assembly. The flue pipes are useful when re-fitting or re-positioning a water heater.

6 Litre Caravan Flue Terminal Pipe

Made from aluminium to fit a 6 litre flue, it has an internal diameter of 92mm

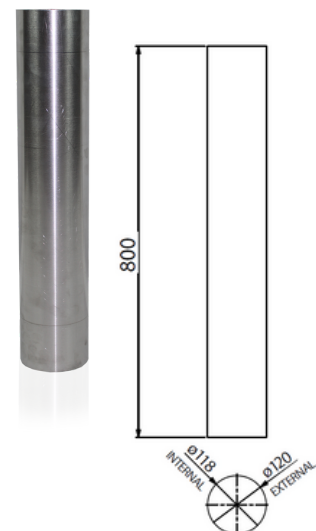
PRODUCT	DESCRIPTION
IS-FLA007-000	400mm (L) x 92mm (ID)
IS-FLA008-000	600mm (L) x 92mm (ID)
IS-FLA009-000	800mm (L) x 92mm (ID)



11 Litre Caravan Flue Terminal Pipe

Made from aluminium to fit an 11 litre flue, it has an internal diameter of 120mm

PRODUCT	DESCRIPTION
IS-FLA010-000	400mm (L) x 120mm (ID)
IS-FLA011-000	600mm (L) x 120mm (ID)
IS-FLA012-000	800mm (L) x 120mm (ID)



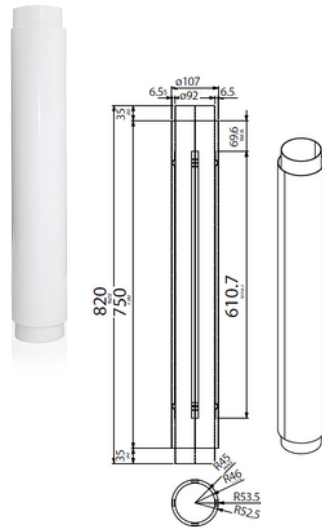
Twin Wall Inner Flue Pipes

Twin wall inner flue pipes connect the water heater to the body of the flue assembly. These pipes are double skinned for health and safety and aesthetic purposes.

6 Litre Caravan Flue Terminal Pipe Double Skin

Made from aluminium to fit a 6 litre flue with a white powder coat finish. Internal diameter measures 92mm.

PRODUCT	DESCRIPTION
IS-FLA013	420mm (L) x 92mm (ID)
IS-FLA014-130	620mm (L) x 92mm (ID)
IS-FLA015-130	820mm (L) x 92mm (ID)



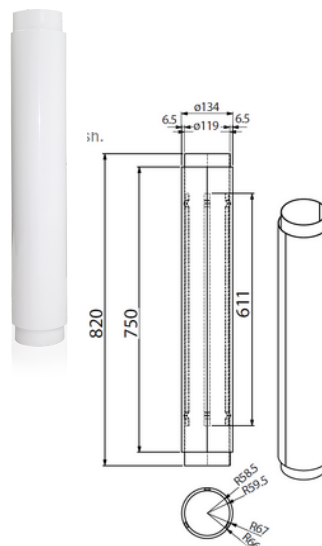
4 colour options to match most popular pantile roofs



11 Litre Caravan Flue Terminal Pipe Double Skin

Made from mild steel to fit an 11 litre flue with a white powder coat finish. Internal diameter measures 120mm.

PRODUCT	DESCRIPTION
IS-FLA016-130	420mm (L) x 120mm (ID)
IS-FLA017-130	620mm (L) x 120mm (ID)
IS-FLA018-130	820mm (L) x 120mm (ID)



4 colour options to match most popular pantile roofs



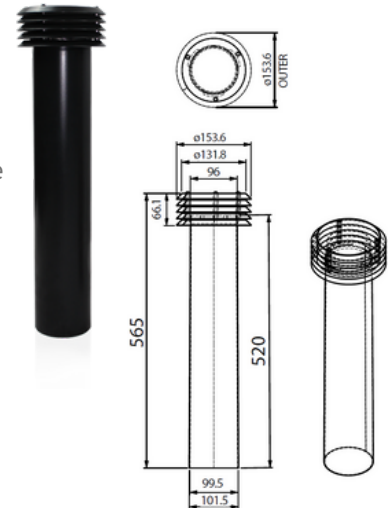
Water Heater Cowl Tops

One of the most frequently damaged or lost components is the water heater cowl top. Ours are a direct replacement, and come pre-coloured to the most popular pantile roofs.

6 Litre Water Heater Flue Top

Original cowl on any of our 6 litre vented flues fitted to a: Morco D61B, Morco D61E and many other 6 litre boilers. The flue tops measure 565mm (L) x 96mm (ID).

PRODUCT	DESCRIPTION
IS-FLC001-158	Graphite
IS-FLC001-160	Green
IS-FLC001-031	Silver
IS-FLC001-159	Terracotta



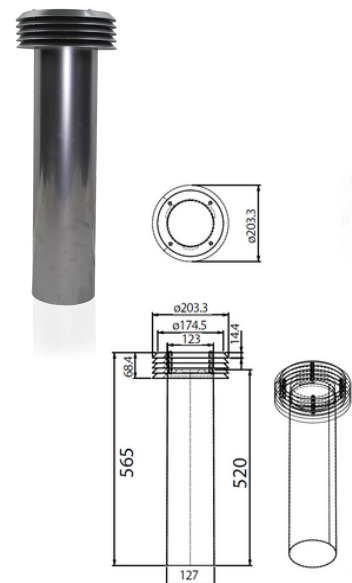
4 colour options to match most popular pantile roofs



11 Litre Water Heater Flue Top

Original cowl on any of our 11 litre vented flues fitted to a: Morco G11E and many other 11 litre boilers. Cowl top is all metal construction and has a powder coat finish to match your caravan roof. Complies with BS715. The flue tops measure 565mm (L) x 123mm (ID).

PRODUCT	DESCRIPTION
IS-FLC005-158	Graphite
IS-FLC005-160	Green
IS-FLC005-031	Silver
IS-FLC005-159	Terracotta



4 colour options to match most popular pantile roofs



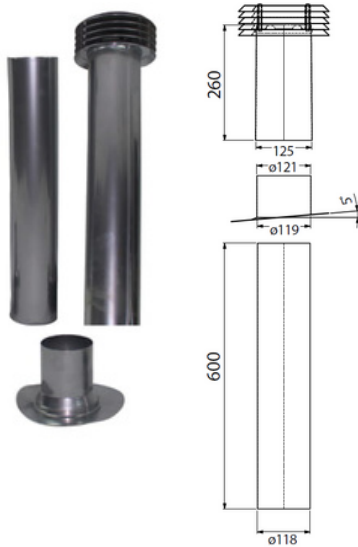
11 Litre Unvented/Vented Water Heater Flue Kit

These flue kits are a universal fitting for 11 litre water heaters. It will fit (amongst others): Morco & Bosch water heaters. It is suitable for use on open flued appliances, with a draught diverter spigot diameter of 188mm.

11 Litre Unvented Water Heater Flue Kit

This flue is unvented, therefore must only be used where high level ventilation has been provided by other means in accordance with the boiler manufacturers instructions.

PRODUCT	DESCRIPTION
IS-FLK002-158	Graphite
IS-FLK002-160	Green
IS-FLK002-031	Silver
IS-FLK002-159	Terracotta



4 colour options to match most popular pantile roofs

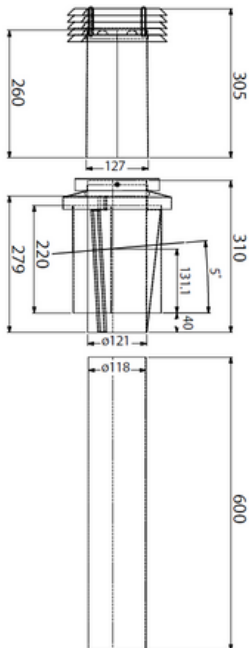


11 Litre Vented Water Heater Flue Kit

This flue is vented and therefore provides integrated high level ventilation.



PRODUCT	DESCRIPTION
IS-FLK003-158	Graphite
IS-FLK003-160	Green
IS-FLK003-031	Silver
IS-FLK003-159	Terracotta



4 colour options to match most popular pantile roofs



6 Litre Caravan Flue Ceiling Trim

The ceiling trim is used where a flue pipe goes through the ceiling of a caravan to neaten the edge. Suitable for a 6 litre flue.

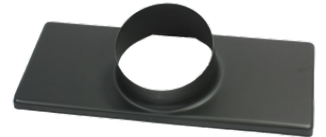
PRODUCT	DESCRIPTION
IS-FLA001-000	Aluminium
IS-FLA001-130	White



Caravan Flue 12 Degree 'Top Hat' Plastic Roof Plate

This vacuum formed roof plate upper forms half of Kintech's roof plate system for static caravans with pressed steel pan tile roof panels.

PRODUCT	DESCRIPTION
IS-FLP016	Green
IS-FLP017	Graphite
IS-FLP018	Terracotta



3 colour options to match most popular pantile roofs

